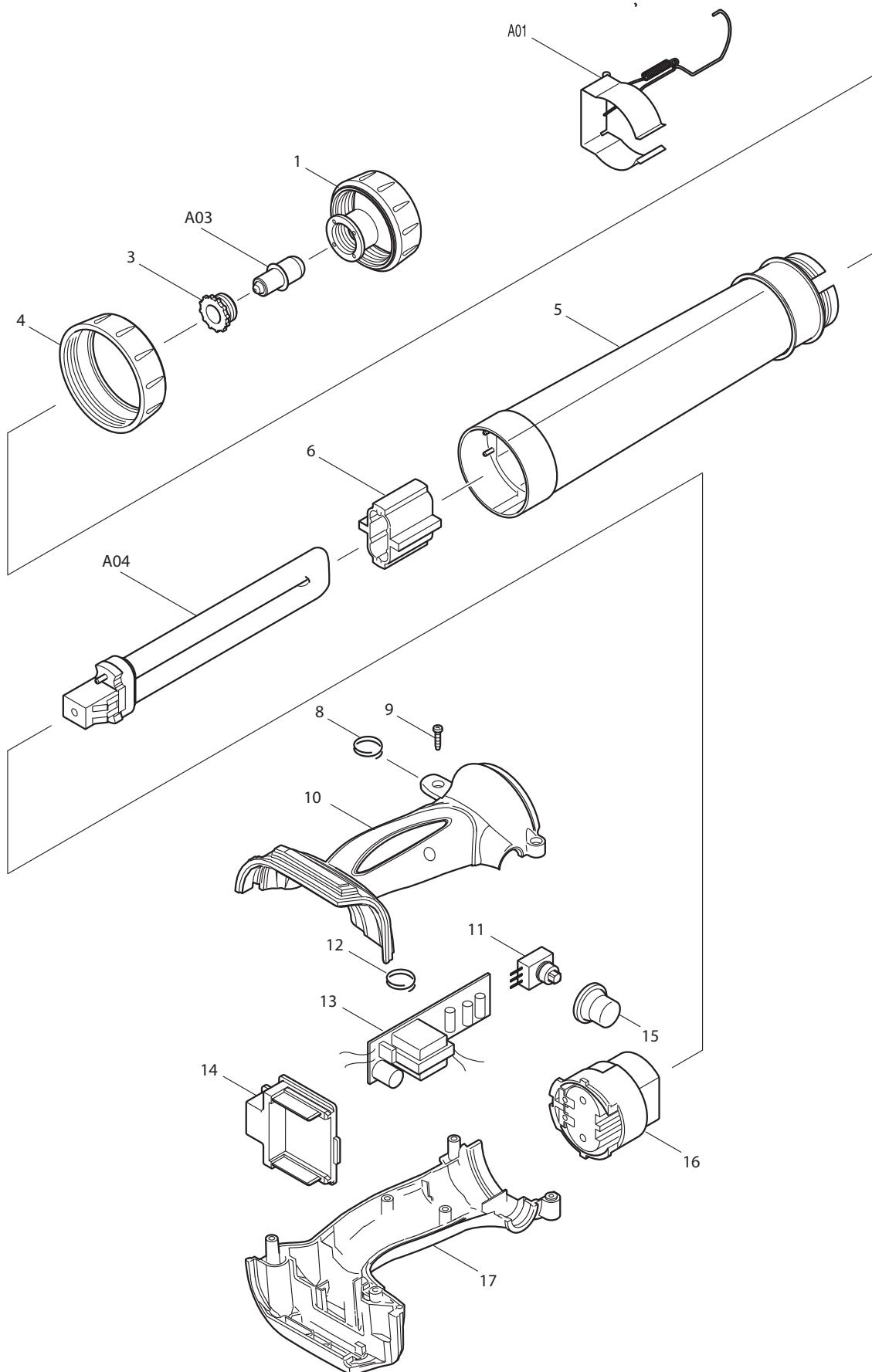




04 - 2015

DML184

14.4 / 18V FLOURESCENT LIGHT



Item Nc	Type	Ref	Rel Part No	Description	Qty	Unit
1			GM00001021	REFLECTOR	1	PC.
3			GM00001020	BULB HOLDER	1	PC.
4			GM00001019	LOCK RING	1	PC.
5			GM00001017	LAMP COVER	1	PC.
6			GM00001023	ABSORBER	1	PC.
8			SM00000190	RING	1	PC.
9			GM00001024	SCREW 3X12	6	PC.
10			GM00001047	HOUSING SET	1	SET
11			GM00001025	SWITCH	1	PC.
12			SM00000190	RING	1	PC.
13			GM00001049	CIRCUIT BOARD	1	PC.
14			GM00001117	BATTERY HOLDER	1	PC.
15			GM00001022	SWITCH COVER	1	PC.
16			GM00001018	HOLDER	1	PC.
E01			810321-0	CAUTION LABEL	1	PC.
<u>ACCESSORIES</u>			- See Catalogue or visit www.makita.ca for more accessories -			
A01			GM00001027	METAL HOOK	1	PC.
A02			GM00001028	SHOULDER HOOK SET	1	PC.
A03			A-94502	LIGHT BULB SET	1	PC.
A04			SM00000050	FLUORESCENT TUBE	1	PC.
A05			-----	18V LI-ION BATTERY		
A06			-----	BATTERY CHARGER		
A07			-----	LI-ION BATTERY ACCESSORIES		